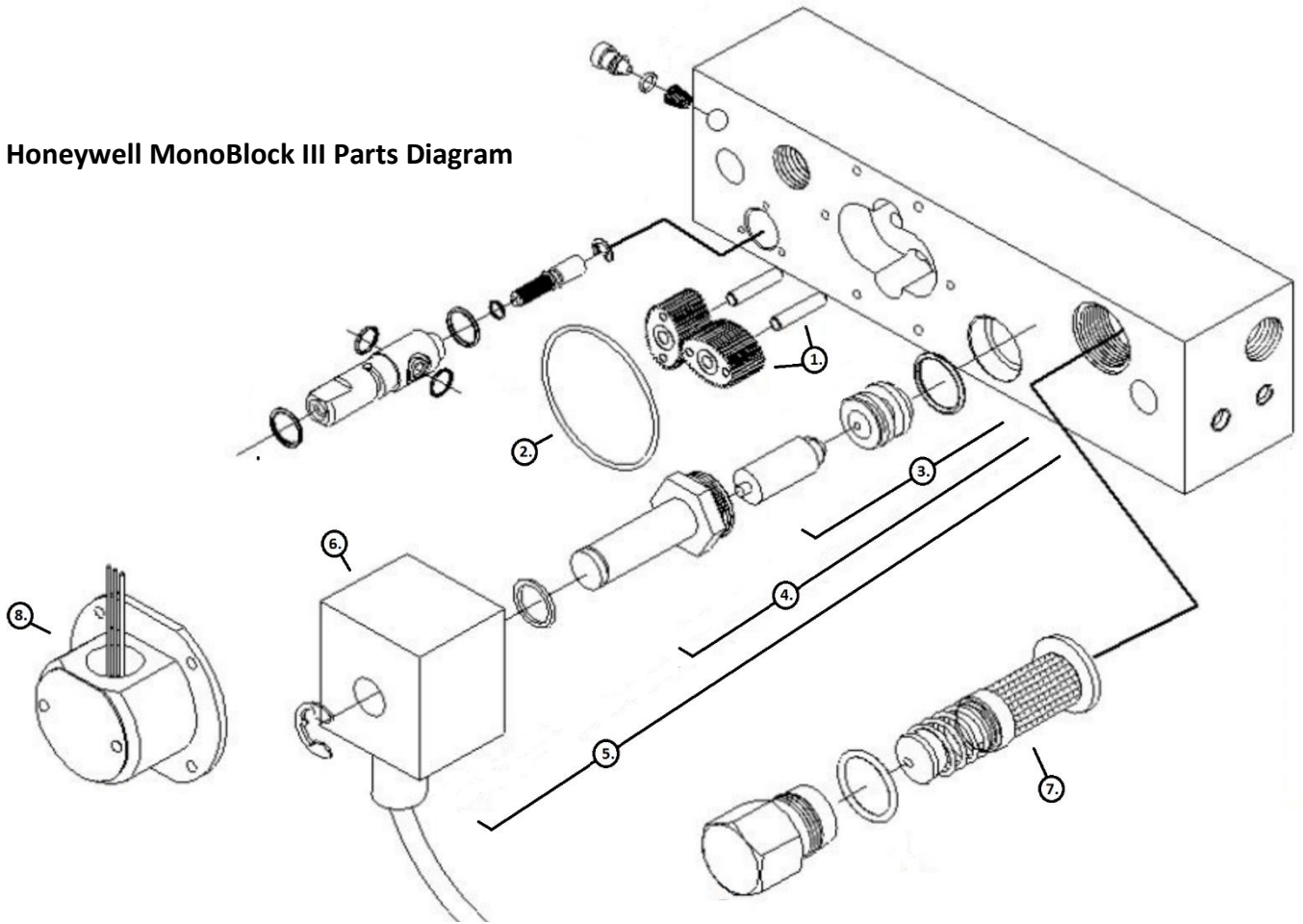


Honeywell MonoBlock III Parts Diagram



The following components of the Honeywell MonoBlock III are compatible with the FLOBLOCK. Items marked * they compatible but are of inferior quality to original FLOBLOCK components, their use is therefore not recommended.

Ref.	Description	Compatible	Technical Difference Between MonoBlock and FLOBLOCK components
1	Gears & Posts	Yes*	FLOBLOCK gears are precision machined (not moulded) for increased accuracy and reduced additive losses.
2	Flowmeter Cap O-Ring	Yes*	The FLOBLOCK O-ring is an encapsulated PTFE which is more robust and offers greater chemical resistance than the Viton seal of the MonoBlock.
3	Solenoid Seal Kit	Yes	-
4	Solenoid Repair Kit	Yes	-
5	Solenoid Coil	Yes	-
6	Solenoid Complete Assy.	Yes	-
7	Filter Assembly	Yes	-
8	Sensor	Yes*	The FLOBLOCK sensor is a higher quality component than the MonoBlock sensor and has the option of a dual pulse output.